

DORAN LED 100W



EDO777638



Floodlight DORAN LED 100W

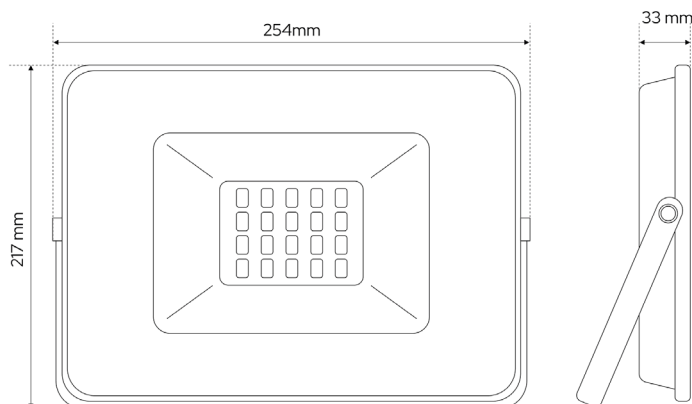
SPECIFICATIONS	EDO777638
Source type:	LED floodlight
Application:	indoor/outdoor
Type of assembly:	surface-mounted
Adjustable:	yes
Dimensions [mm]:	
-height [mm]:	217mm
-width [mm]:	254mm
-depth [mm]:	33mm
Colour:	black
Material:	aluminium, glass
Lampshade:	transparent
Energy efficiency class [A-G]:	F
Cooperation with a dimmer:	no
Sensor:	no
TECHNICAL DATA	
Power in the on-mode P_{on} [W]:	100W
Standby power P_{sb}/P_{net} [W]:	-
Rated voltage [V]:	220-240V
Rated frequency [Hz]:	50 Hz
Color temperature [K]:	4000K
Light color change:	no
Light distribution angle [°]:	110°
Color rendering index CRI:	≥70
Color rendering index R9:	16
Useful luminous flux [lm]:	11680lm
Measurement of the luminous flux in [°]:	sphere (360°)
Luminous efficiency [lm/W]:	116,8lm/W
Rated life [h]:	25000h
Number of cycles on/off:	15000
On-mode energy consumption [kWh/1000h]:	100kWh/1000h
IP:	IP65
IK:	IK05
Protection class:	II
Mercury content:	no
Environmental conditions [°C]:	-20°C...40°C
LOGISTIC DATA	
Collective packaging [pcs.]:	8pcs.
Weight [kg]:	830g
EAN:	

ENERGY
EDO
EDO777638

100 kWh/1000h

11680lm
4000K
220-240 V AC 50-60Hz
110°
IP65
IK05

2019/2015



The presented photos are for illustration only and may slightly differ from reality. The appearance may depend, among others monitor settings or printing technology. The data presented in this document are not legally binding and are subject to change. The given results were obtained when examining a specific specimen.

Elhurt Plus S.A., Osieczany 585, 32-400 Myślenice, Poland, edo@edo-solutions.com