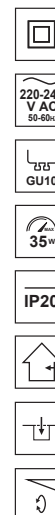


FALGA T White



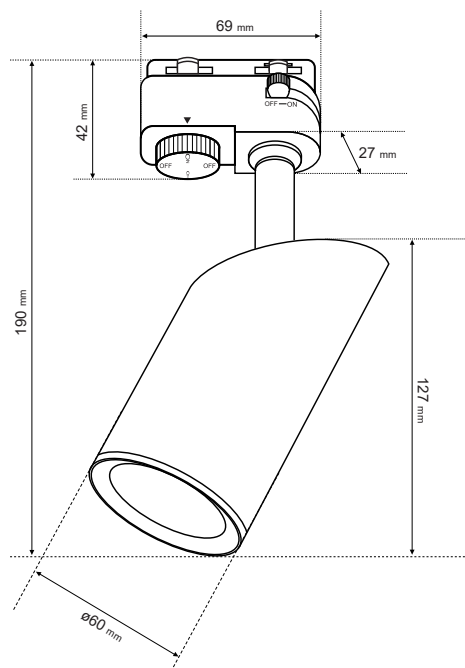
EDO777477



Luminaire for rail system FALGA T White

FALGA T rail fittings are modern, oblong reflectors in the shape of truncated tubes. Thanks to the possibility of adjustment, you can easily adjust the angle of incidence of light and accurately illuminate and display selected elements of the space. These luminaires are dedicated to the SEVA rail system. Rail lighting is an innovative solution that gives an endless number of combinations, personalization possibilities and creating unique illumination of the room. The SEVA busbar system is a whole set of elements- rails, connectors, power supplies and plugs.

SPECIFICATIONS	EDO777477
Application:	inside
Type of assembly:	SEVA rail system
Installation site:	ceiling
Connection type:	adapter
Colour:	white
Type of finish:	sandblasted
Material:	aluminium, PC
Dimensions:	
-width [mm]:	ø60mm
-length [mm]:	127mm
-ring diameter [mm]:	ø60mm
-overall height [mm]:	190mm
-adapter size [mm]:	69x27x42mm
Adjustable:	yes
Shutter:	-
Socket included:	yes
Socket type:	GU10
Number of slots:	1
Light source included:	no
TECHNICAL DATA	
Maximum power [W]:	35W
Rated voltage [V]:	220-240 V AC
Rated frequency [Hz]:	50-60 Hz
IP:	IP20
Protection class:	II
Mercury content:	no
Environmental conditions [°C]:	-20...50°C
The minimum distance from illuminated object [m]:	0,5m
LOGISTIC DATA	
Collective packaging [pc.]:	50pc
Weight [g]:	239g
Weight with packaging [g]:	282g



EAN:



519042321610503

